

SHARP MODEL 260SLV 9" SWIVEL HEAD BANDSAW






- Gear-driven 2Hp DC Variable speed motor
- Simply dial your desired blade speed
- Heavy 1" blade with carbide pad blade guides
- Quick lever tightened vise
- Perfectly balanced saw head for constant feed rates

SHARP MODEL 260SLV 9" SWIVEL HEAD BANDSAW



CUTTING CAPACITY

°	inch			
90°		9	8.6	10.25 x 4.3
45°		6	5.75	5.75 x 5.75
60°		3.5	3.3	3.3 x 3.3

604 9863221

Dial-controlled variable speed



- Heavy 1" blade with carbide pad blade guides (coolant is forced through both infeed and outfeed guides)
- Quick lever tightened vise

Dual cutting control:

- Gravity self feeding*, hydraulically controlled with auto shut-off
- manually activated and counter balanced for rapid cutting of smaller or delicate workpieces

*feeding rate is constant from start to finish and does not accelerate as saw head descends

Weight: 600 lbs

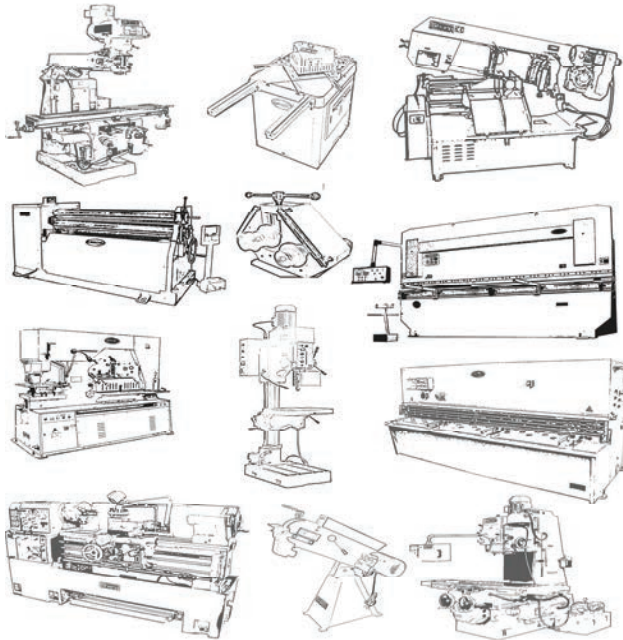
2HP 208/220V 1PH/3PH

Optional infeed and outfeed tables available

Sharp

MACHINE TOOLS

Proudly providing North American Representation for:



Head office for direct North American sales and Worldwide export:

Sharp Industries Ltd
1422 Pemberton Avenue
North Vancouver BC Canada V7P2S1
Telephone 604 986 3221 Fax 604 988 9562

Sharp machine tools

Toll-free 1 877 986 3221
Email
sales@sharpmachinetools.com