

SHARP MODEL 320DSSA

20"X13" DOUBLE - SWIVEL HEAD BANDSAW

SEMI AUTOMATIC



- 60°- 0°- 60° swivel with quick release and lock
- Infinitely variable blade speed with DRO
- Swing—away control panel
- Heavy 1.25" blade with carbide pad blade guides
- Hydraulic automatic vise
- Hydraulic down feed for constant feed rates

# SHARP 320DSSA 20" x 13" DOUBLE - SWIVEL HEAD SEMI AUTOMATIC BANDSAW

## FEATURES



removable chip tray



powerful hydraulic clamping



powered chip clearing brush



LED speed indicator



sliding vise with material chute and auxiliary support



electronic remote control panel with key lock-out

## AVAILABLE OPTIONS



79" INFEED TABLE






120" OUTFEED TABLE WITH PRECISION MATERIAL STOP



BUNDLING ATTACHMENT

## CUTTING CAPACITY

°	inch			
90°		13	13	20 x 13
45°		13	13	12.5 x 12.5
60°		8.5	8.5	8.5 x 12

604 986 3221



- Variable blade speed displayed on LED Readout
- Heavy 1.25" blade with carbide pad blade guides (coolant is forced through both infeed and outfeed guides)
- Blade tension: hydraulic with auto shut-off sensor if blade breaks
- Hydraulic powered downfeed
- Adjustable pressure hydraulic long stroke vise
- Sawing functions are controlled at swing-away control panel
- Electronic self-diagnostics on display panel

#### How It WORKS:

Push start button and automatically:

1. Vise hydraulically closes
2. Blade starts
3. Cut is completed\*
4. Blade stops
5. Sawing head rises (to an adjustable height)
6. Vise opens

\*Auto feed rate is infinitely variable. Feeding is hydraulically forced and does not rely on gravity. Feeding rate is constant from start to finish and does not accelerate while cutting thinner areas of the work piece.

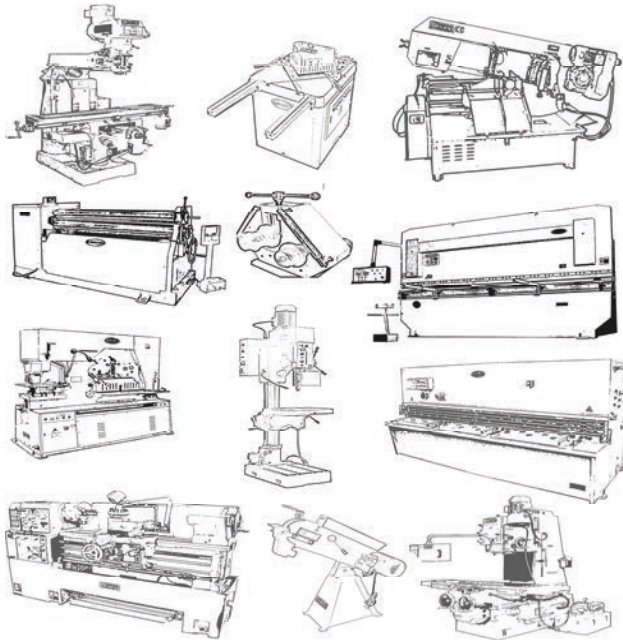
Weight 2200lbs  
208/220V /3PH

3Hp

# Sharp

MACHINE TOOLS

Proudly providing North American Representation for:



Head office for direct North American sales and Worldwide export:

Sharp Industries Ltd  
1422 Pemberton Avenue  
North Vancouver BC Canada V7P2S1  
Telephone 604 986 3221 Fax 604 988 9562

**Sharp** machine tools

Toll-free 1 877 986 3221  
Email  
sales@sharpmachinetools.com