

SHARP MODEL 350SDVSA
10.5" DOUBLE - SWIVEL HEAD BANDSAW
SEMI AUTOMATIC



- 45°- 0°- 60° swivel with quick release
- Gear-driven 3Hp DC Variable speed motor
- Simply dial your desired blade speed
- Heavy 1" blade with carbide pad blade guides
- Hydraulic automatic vise
- Hydraulic down feed for constant feed rates

AVAILABLE WITH SINGLE PHASE ELECTRICS

SHARP MODEL 350SDVSA 10.5" DOUBLE - SWIVEL HEAD SEMI AUTOMATIC BANDSAW

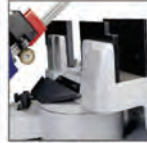
FEATURES



CHIP CLEARING BRUSH



WISE STABILIZER



90 DEGREE POSITIONER



HEAVY-DUTY HINGE



DUAL-ANGLE VISE

AVAILABLE OPTIONS



79" INFEEED TABLE






120" OUTFEED TABLE WITH
PRECISION FENCE AND MATERIAL STOP



BUNDLING ATTACHMENT



CUTTING CAPACITY

°	inch			
90°		10.6	10	13.75 x 8.6
45°		9.5	8.6	9.5 x 6.3
60°		6.3	6	6 x 6
45° L		8.26	7	7 x 7

604 986 3221



- Gear driven – no belts to change (simply dial your desired blade speed)
- Cutting functions controlled at raised panel and foot switch
- Heavy 1" blade with carbide pad blade guides (coolant is forced through both infeed and outfeed guides)
- Hydraulic powered downfeed
- Blade tension: hydraulic with auto shut-off sensor if blade breaks
- Electronic self-diagnostics on control panel
- Hydraulic vise
- 3 HP motor: run on 3 phase or single phase 220v

How It WORKS:

Push start button or press foot switch and automatically:

1. Vise hydraulically closes
2. Blade starts
3. Cut is completed*
4. Blade stops
5. Sawing head rises (to an adjustable height)
6. Vise opens

*Auto feed rate is infinitely variable. Feeding is hydraulically forced and does not rely on gravity. Feeding rate is constant from start to finish and does not accelerate while cutting thinner areas of the work piece.

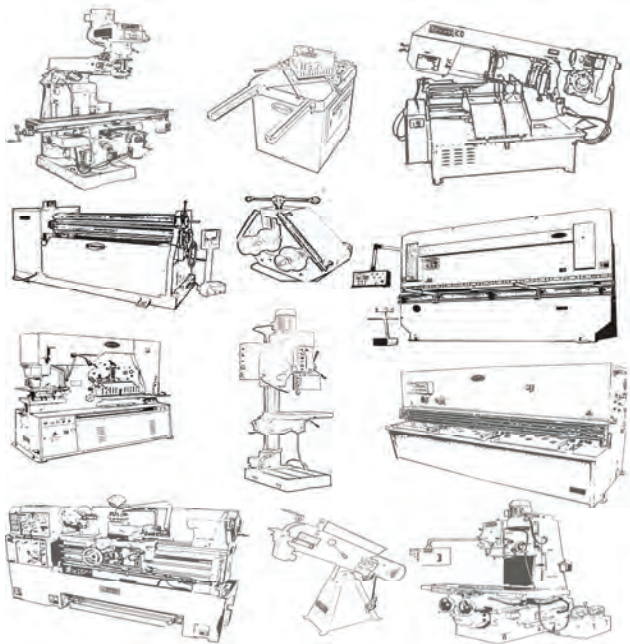
Weight 1200lbs
1PH/3PH

3Hp 208/220V

Sharp

MACHINE TOOLS

Proudly providing North American Representation for:



Head office for direct North American sales and Worldwide export:

Sharp Industries Ltd
1422 Pemberton Avenue
North Vancouver BC Canada V7P2S1
Telephone 604 986 3221 Fax 604 988 9562

Sharp machine tools

Toll-free 1 877 986 3221
Email
sales@sharpmachinetools.com