

SHARP MODEL 460DSSA

24"X18" DOUBLE - SWIVEL HEAD BANDSAW

SEMI AUTOMATIC



- 60°- 0°- 60° swivel with quick release and
- Infinitely variable blade speed with DRO
- Swing—away control panel
- Heavy 1.5" blade with carbide pad blade guides
- Hydraulic automatic vise
- Hydraulic down feed for constant feed rates

SHARP 460DSSA 24" x 18" DOUBLE - SWIVEL HEAD SEMI AUTOMATIC BANDSAW

FEATURES



removable chip tray



powerful hydraulic clamping



powered chip clearing brush



LED speed indicator



sliding vise with material chute and auxiliary support



electronic remote control panel with key lock-out

AVAILABLE OPTIONS



79" INFEED TABLE






120" OUTFEED TABLE WITH PRECISION MATERIAL STOP

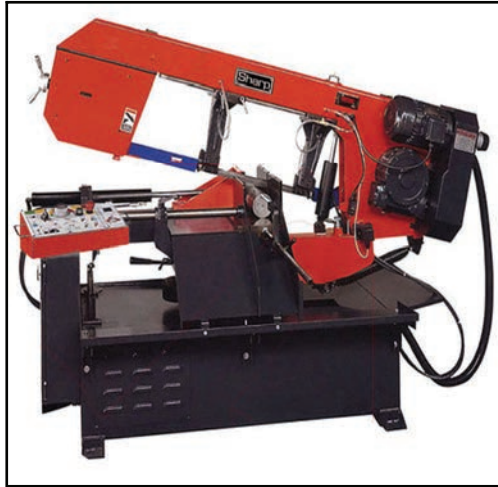


BUNDLING ATTACHMENT

CUTTING CAPACITY

°	inch			
90°		18	18	24 x 18
45°		18	18	18 x 18
60°		13	13	13 x 13

604 986 3221



- Variable blade speed displayed on LED Readout
- Heavy 1.5" blade with carbide pad blade guides (coolant is forced through both infeed and outfeed guides)
- Blade tension: hydraulic with auto shut-off sensor if blade breaks
- Hydraulic powered downfeed
- Adjustable pressure hydraulic long stroke vise
- Sawing functions are controlled at swing-away control panel
- Electronic self-diagnostics on display panel

How It WORKS:

Push start button and automatically:

1. Vise hydraulically closes
2. Blade starts
3. Cut is completed*
4. Blade stops
5. Sawing head rises (to an adjustable height)
6. Vise opens

*Auto feed rate is infinitely variable. Feeding is hydraulically forced and does not rely on gravity. Feeding rate is constant from start to finish and does not accelerate while cutting thinner areas of the work piece.

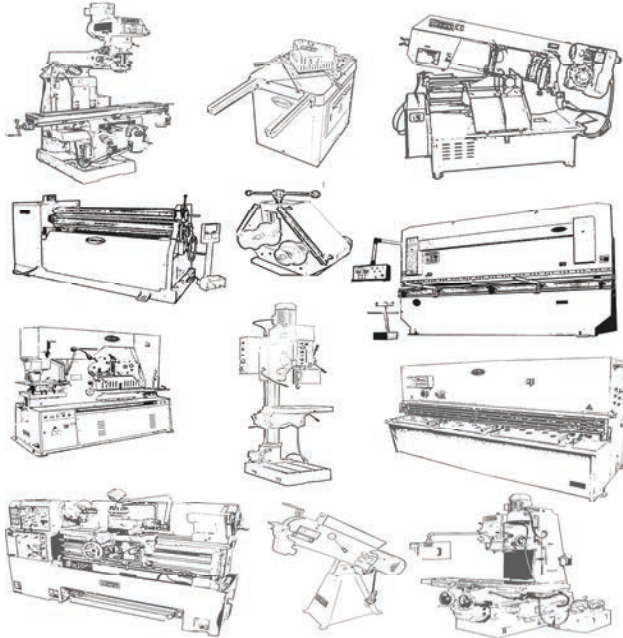
Weight 3200lbs
208/220V /3PH

5Hp

Sharp

MACHINE TOOLS

Proudly providing North American Representation for:



Head office for direct North American sales and Worldwide export:

Sharp Industries Ltd
1422 Pemberton Avenue
North Vancouver BC Canada V7P2S1
Telephone 604 986 3221 Fax 604 988 9562

Sharp machine tools

Toll-free 1 877 986 3221
Email
sales@sharpmachinetools.com